



Barcode: 5060452081793

beamkart™

Product code: BK2

- » Designed for the transportation of beams and steels.
- » Robust construction, yet nimble for ease of use.
- » No upright sides, enables handling of wider materials.

Product features



Puncture-proof
tyres



Working load limit



No detachable
parts

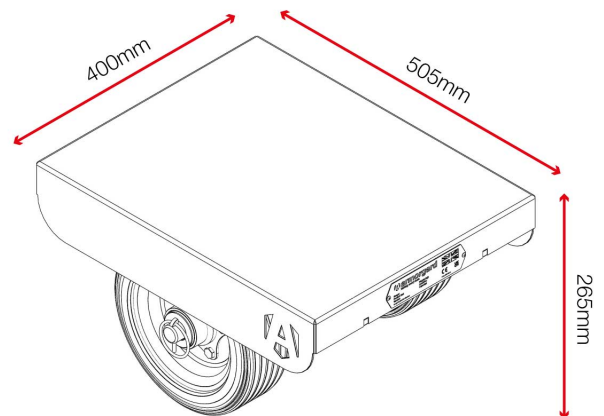


Suitable for site

Product specifications

Weight	24kg
Colour	Traffic red: RAL 3020
Finished coating	Powder coated
Material & thickness	3mm steel
How are castors fitted?	2x linchpins
Assembly required?	Yes

Dimensions



Related products - Contact Armorgard to find out more



BeamKart BK1



V-Kart VK2



FlexiKart FK2