



Barcode: 5060452081922

Patent number: 2006552

scrubkart™

Product code: SBK2T

- » ScrubKart provides instant warm water handwashing.
- » No plumbing required with tank fed water and self-contained waste.
- » Foot pump operated system and hands-free swing bin.



Watch the ScrubKart in action

Product features



Power supply
230V



Safety signage



Puncture-proof
tyres



Cam lock



Hands-free
operation

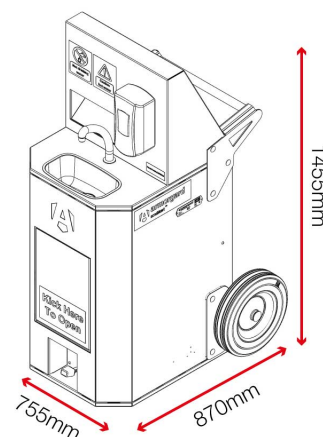


Suitable for site

Product specifications

Weight	120kg
Colour	Traffic red: RAL 3020
Finished coating	Powder coated
Material & thickness	1.5mm steel
Qty washes / pumps	120 hand washers per 25L tank
Assembly required?	No

Dimensions



Related products - Contact Armorgard to find out more



ScrubKart SBK1T



ScrubKart SBK3T



SaniStation S20



SaniStation Mini Hands-Free
S10HF

