



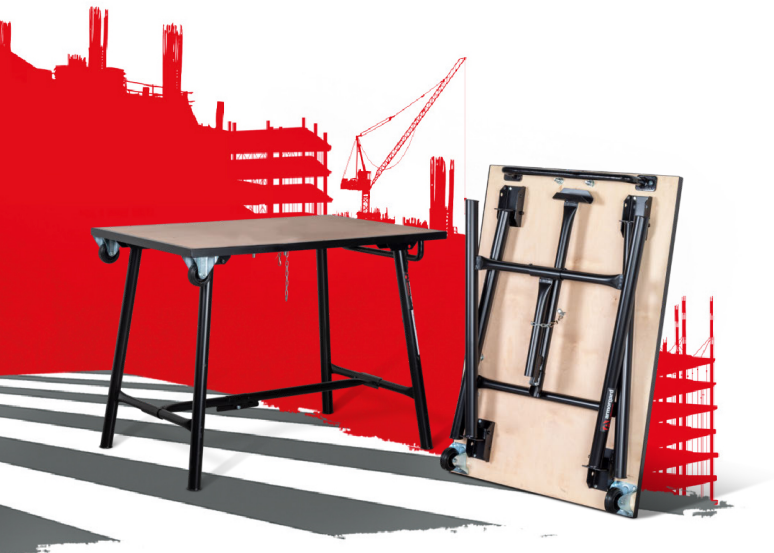
Barcode: 5060452081694

tuffbench+™

with handle and wheels fitted

Product code: BH10-HWF

- » Durable timber work surface that folds down for easy storage.
- » Wheels and handle for simple transportation.
- » Folding legs secured with a chain when shut.



Product features



Collapsible



Stackable



Working load limit



Standard 80mm castors

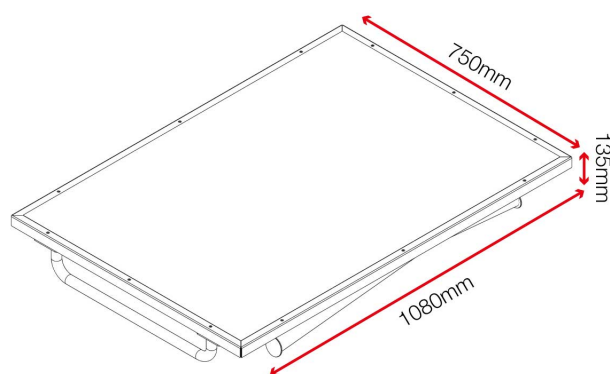


Suitable for site

Product specifications

Weight	31kg
Colour	Jet black: RAL 9005, natural timber
Finished coating	Powder coated steel and compressed timber work surface
Material & thickness	Top 25mm and tube 36mm steel and timber
Quantity of keys	Not applicable
Does it have storage	No
How are castors fitted?	Bolted on

Dimensions



Optional extras - Contact Armorgard to find out more



Engineers vice CV6



Chain vice CV4

