

## Heavy-Duty Aluminium Combination Ladders



[Representative image of product]

### Product Description

Designed to be stable on uneven surfaces and offer the ultimate in durability and flexibility. Developed for use in the most demanding environments, our industrial grade combination ladders provide you a triple ladder, an A-frame stepladder, an extended stepladder, a stairwell ladder combined with a levelling safety base in one robust product. Also available with the same features in non-conductive fibreglass for use around electricity. The stabiliser bar at the base of the ladder adjusts from a minimum 830mm to 1280mm when fully extended.

### Features

- Telescopic stabiliser for use on uneven ground
- Large box section stiles with twist-proof rung connections
- Use as an extension, A-frame or stairwell ladder
- Aluminium locking stays for additional rigidity
- Deep, comfortable rungs that are horizontal when climbing
- Strong nylon coated guides for smooth operation
- Integrated wall wheels to assist placement

### Specifications

- Brand: TB Davies
- Warranty: 5-year
- Max Load: 150kg
- Standard: EN131
- Material: Aluminium
- Commodity Code: 76169990
- Country of Origin: IT
- Recommended Usage: Intensive

### Common Dimensions

- Rung Depth: 30mm
- Distance Between Rungs: 300mm

### Availability & Delivery

Stock item. Delivery next day.

(See exceptions, if applicable, overleaf)

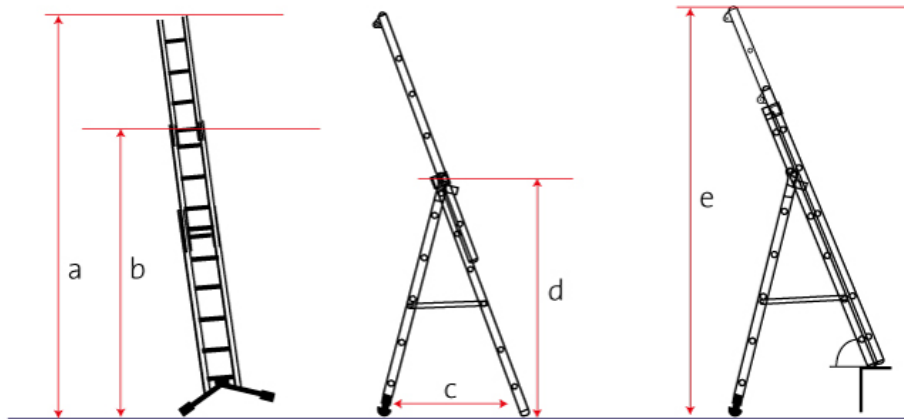
# Heavy-Duty Aluminium Combination Ladders

## Product Dimensions

SKU	Rungs /Sections	Last Climbing Height (b)	Approx. Working Height <sup>1</sup> (mm)	Extended Length (a) (mm)	Closed Length (mm)	Storage Width (mm)	Storage Depth (mm)	Nett Weight (kg)
1300-051	6 x 3	3100	4700	2040 - 4200	2040	830	170	16.0
1300-053	8 x 3	4300	5900	2640 - 5400	2640	830	170	20.5
1300-054	9 x 3	5150	6750	2940 - 6250	2940	830	190	25.0
1300-056	11 x 3	7000	8600	3540 - 8100	3540	830	190	29.5

SKU	Open Step Depth (c) (mm)	Open Step Height (e) (mm)	Max Step Height (d) (mm)	Approx. Step Working Height <sup>1</sup> (mm)
1300-051	1260	4200	1900	3500
1300-053	1570	5650	2440	4040
1300-054	1800	6250	2700	4300
1300-056	2330	8100	3300	4900

<sup>1</sup> Working height is calculated as 1,600mm plus platform height or last climbing tread, whichever is appropriate. Ladders set at an angle of 75° degrees.



Please note that this drawing is not to scale and may differ slightly from the ladder that you receive.

## Shipping Dimensions

SKU	Barcode	Shipping Length (mm)	Shipping Width (mm)	Shipping Depth (mm)	Shipping Volume (m <sup>3</sup> )	Gross Weight (kg)
1300-051	5060356910922	2040	830	204	0.345	16.0
1300-053	5060356910939	2640	830	204	0.447	20.5
1300-054	5060356910946	2940	830	204	0.498	25.0
1300-056	5060356910953	3540	830	234	0.688	29.5

**Packaging Material:** Polywrap

Please note that products marked 'Special Order' cannot be cancelled and are non-returnable once orders are acknowledged and placed. This document is presented as a guide only; It is subject to change without notice and as such is not legally binding, nor does it form part of any contract.